

O2 Series Cooling Only

TOSOT

MODEL: TW12CM1C2D

Project Name:

Location:

Engineer Name:

Purshaser:

Unit Designation:

Schedule No.

SubmittedTo:

Date:



Unit Performance:

Cooling:	
Capacity (Min-Rated-Max, Btu/h)	3,600-12,000-12,500
SEER	15
EER	9.23
Heating:	
Capacity (Min-Rated-Max, Btu/h)	/
HSPF	/
COP (W/W)	/

Unit Specification

Refrigerant Type	R410A
Refrigerant Charge (oz)	35.3
ODU Sound Pressure (dB(A))	53
IDU Sound Pressure (dB(A))	44/42/39/36
ODU Net Weight (lbs)	65
IDU Net Weight (lbs)	22
Dehumidifying (Pint/h)	2.96

Fan

ODU / IDU Type	Axial-flow/Cross-flow
Quantity (ODU + IDU)	1+1
IDU Air Flow Rate (CFM)	335/277/253/218

Compressor

Cooling Operation Ambient temp. Range	64~109 F
Heating Operation Ambient temp. Range	/
Compressor Type	Rotary
Fan Motor Output (W)	/
Crankcase Heater	/

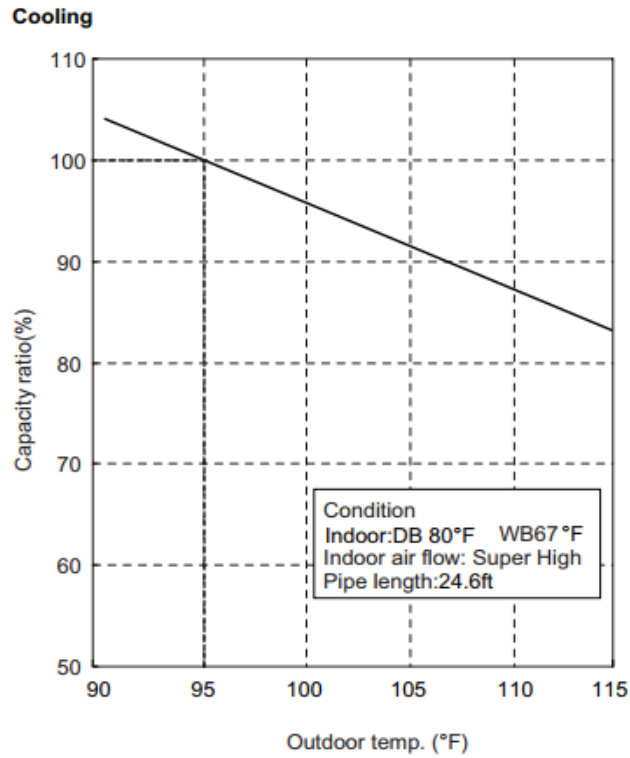
Electrical Specification

Power Supply	208-230V / 60Hz
Communications Wire Size	AWG 14
MOP (A)	15
MCA (A)	10
Compressor RLA (A)	7.3
Indoor Fan Motor RLA (A)	0.2
Outdoor Fan Motor RLA (A)	0.25

Piping

Liquid Line (in, OD)	1/4
Gas Line (in, OD)	3/8
Additional Refrigerant (oz./ft.)	0.2
Max Pipe Length (ft.)	65.6
Max Elevation (ft.)	49



Capacity Variation Ratio According to Temperature**GLOSSARY**

SEER - Seasonal Energy Efficiency Ratio

EER - Energy Efficiency Ratio

HSPF - Heating Seasonal Performance Factor

MOP - Maximum Overcurrent Protection

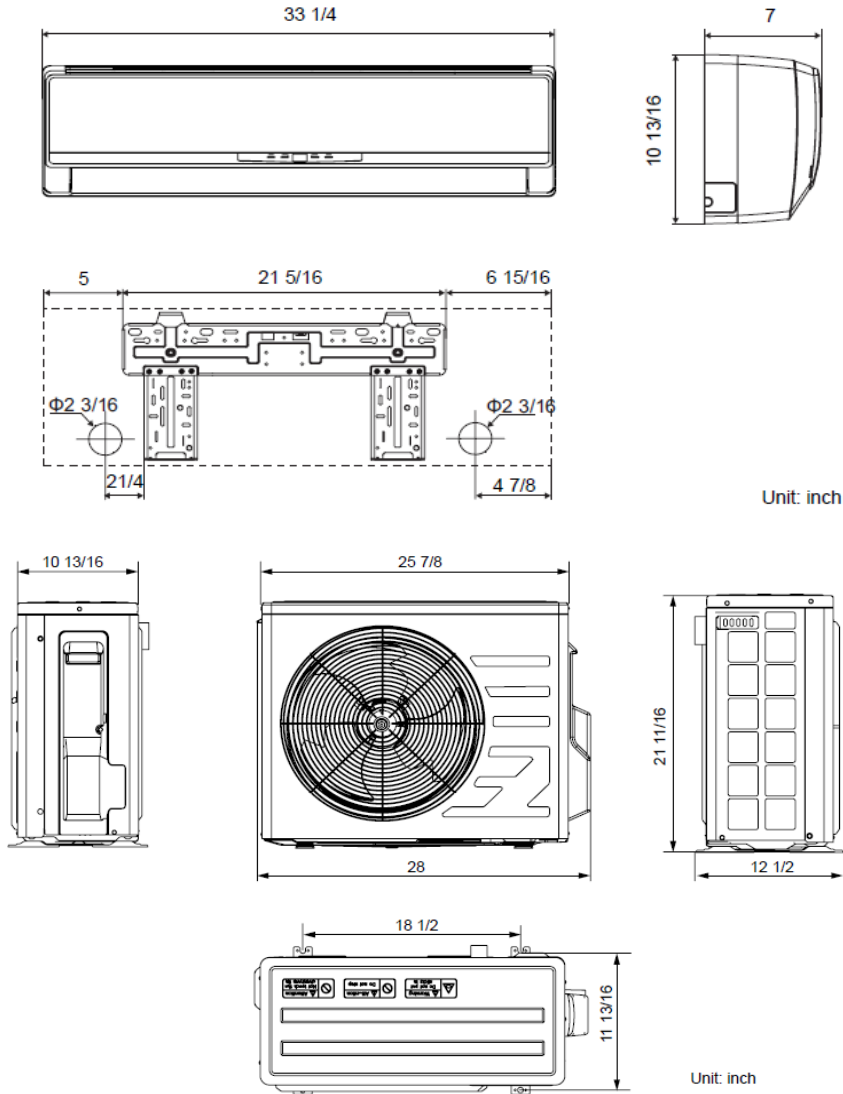
MCA - Minimum Circuit Ampacity

O2 Series Cooling Only

TOSOT

MODEL: TW12CM1C2D

Outline Dimension Diagram



Approved By:

Signature

Date

TOSOT

315 Boulevard Industriel, Châteauguay, QC, Canada J6J 4Z2

Contact: +1 (450) 698-4000

info@tosotamerica.com

tosotamerica.com